

* 所有原材料, 生产制程, 电镀必须符合ROHS要求

Specification

MATERIAL:

Insulator: High Temperature Thermoplastic, UL 94V-0.LCP
 Contact: Copper Alloy T=0.15
 SHELL: SUS T=0.15

PLATING:

Contact: Plated 50u'' Ni Overall
 Plated Au Selective Contact Area
 Plated 30u'' - 70u'' Sn Over Ni On Solder Area
 Shell: (1)Plated 30u'' Ni Overall min,
 Plated 0.5u''Au Selective Contact Area
 Shell: (2)Plated 30u'' Ni Overall min,
 Plated 30u''Ni Selective Contact Area

Electrical:

Current Rating :0.5mA AC/DC max.
 Voltage Rating :125V AC/DC
 Ambient Temperature Range :-25° C~+85° C
 Storage Temperature Range :-25° C~+85° C
 Ambient Humidity Range :95% R.H. Max.
 Contact Resistance:100m max. Ω
 Insulation Resistance:1000M min./500VDC
 Mating Cycles:5,000 Insertions
 产品耐温温度: 260° C $\frac{20^{\circ}\text{C} \leq t < 1.70^{\circ}\text{C}}{-5^{\circ}\text{C}} \leq t < 1.70^{\circ}\text{C} > +5^{\circ}\text{C}$

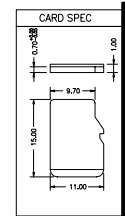
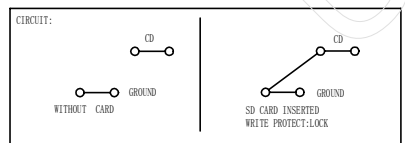
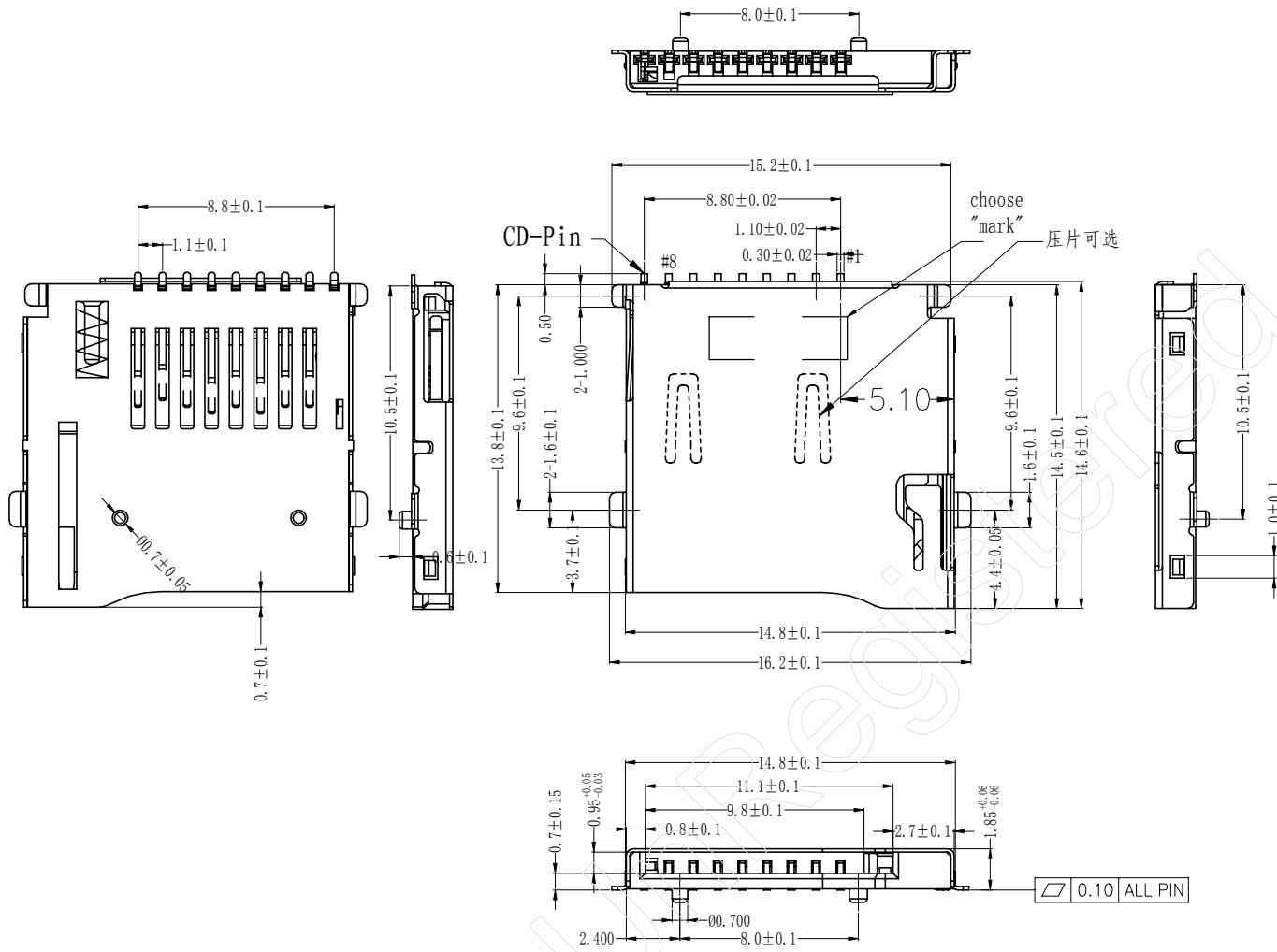
PART NUMBER:

001 1 X A A X 09 A

A: SUS

- G: 功能區鍍金1u'', 錫腳Gold Flash (符合ROHS製程)
- H: 功能區鍍金3u'', 錫腳Gold Flash (符合ROHS製程)
- J: 功能區鍍金5u'', 錫腳Gold Flash (符合ROHS製程)
- S: 功能區域鍍金Gold flash'' 焊接腳純霧錫100u'' (符合ROHS製程)

- A: 外壳表面无压片
- B: 外壳表面有压片
- C: 外壳表面有压片, 脚长0.8
- D: 外壳表面有压片, 脚长1.0
- E: 外壳表面无压片, 卡外漏2.10mm
- F: 外壳表面无压片, 无柱
- G: 卡座带防飞卡功能, 车载专用
- H: 外壳表面有压片, 带 LOXI 字样



XNT	
DIMENSIONS INIT: mm	
UNLESS OTHERWISE SPECIFIABLE	
DIMENSION	TOLERANCE
X.X: ±	0.38
X.XX: ±	0.25
X.XXX: ±	0.10
ANGULAR: ±	1°

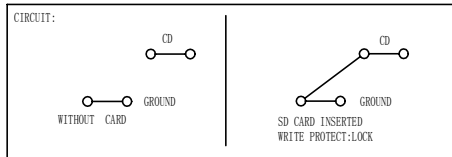
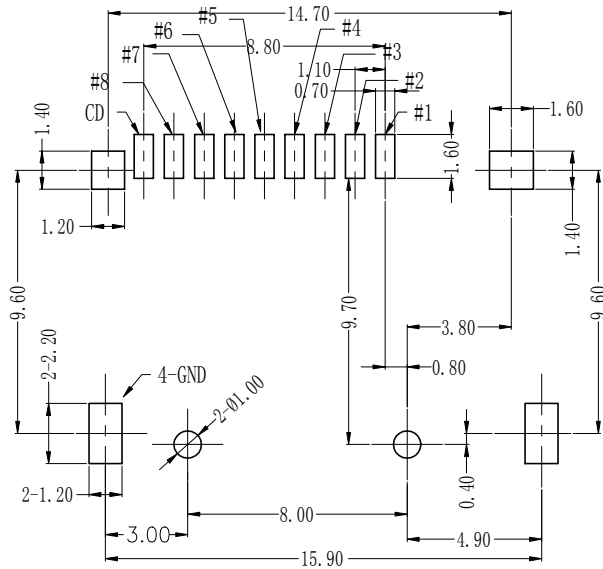
深圳市鑫南天科技有限公司 Shen zhen Shi Xin Nan Tian Industrial Co., Ltd			
PRODUCT NAME :	T-FLASH 卡座PUSH/PUSH	DRAWING:	COCO
PRODUCT NO. :	0011XAAS09A	CHECK:	JANY
DRAWING NO. :	NT-002	APPROVED:	JEFF
DATE:	2014/08/10	DATE:	2014/08/11
DATE:	2014/08/11	DATE:	2014/08/11
SCALE:	1:1	DWG TD:	C D
REV. :	B	PAGE:	1 of 2

REVISION NO.	ECR NO.	DESCRIPTION	MARK	DATE
1				
2				
3				

* 所有原材料, 生产制程, 电镀必须符合ROHS要求

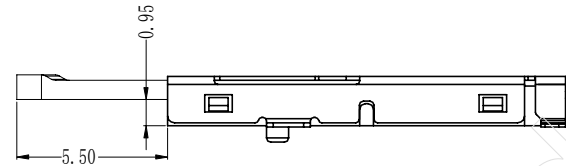
RECOMMEND PCB LAYOUT:

(Unit:mm .X ± 0.15 .XX ± 0.05 .XXX ± 0.02)

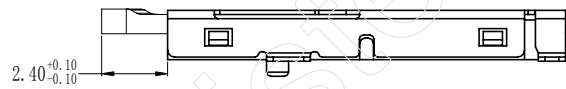


PIN NO.	PIN ASSIGNMENT
1#	DAT2 信号
2#	CD/DAT3 信号
3#	CMD 数据输入
4#	VDD 电压/电
5#	CLK 时钟
6#	VSS 接地
7#	DAT0 信号
8#	DAT1 信号
9#	CD 侦测端

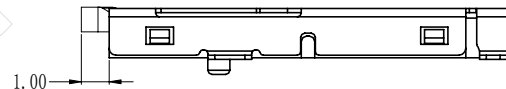
T-FLASH?|b0|i0|c0|p54; Card Insert Drawing:



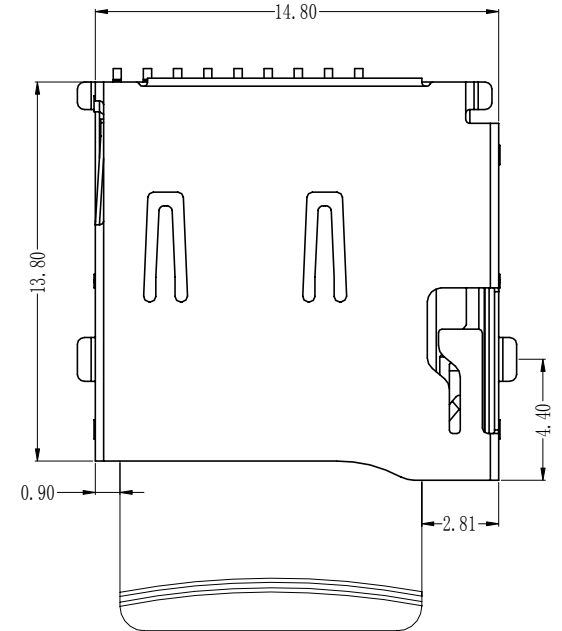
Micro SD Card -Un Lock



Micro SD Card -Lock



Micro SD Card -Push



REVISION NO.	ECR NO.	DESCRIPTION	MARK	DATE
1				
2				
3				



深圳市鑫南天科技有限公司
Shen zhen Shi Xin Nan Tian Industrial Co., Ltd

DIMENSIONS INIT: mm UNLESS OTHERWISE SPECIFIABLE		PRODUCT NAME : T-FLASH 卡座PUSH/PUSH	DRAWING: COCO	DATE: 2014/08/10
DIMENSION TOLERANCE		PRODUCT NO. : 0011XAAX09X	CHECK: JANY	DATE: 2014/08/11
X.X: ± 0.38		DRAWING NO. : NT-002	APPROVED: JEFF	DATE: 2014/08/11
X.XX: ± 0.25			SCALE: 1:1	DWG ID: C D
X.XXX: ± 0.10			REV. : B	PAGE: 2 of 2
ANGULAR: ± 1°				