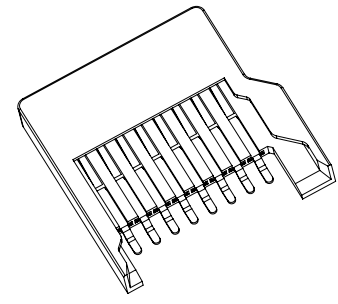
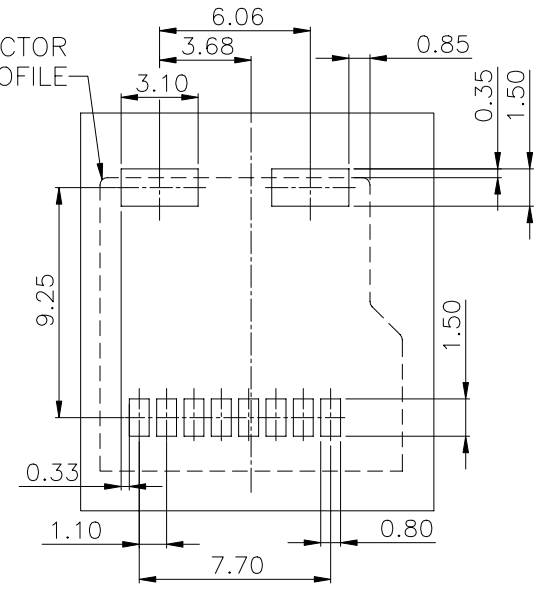
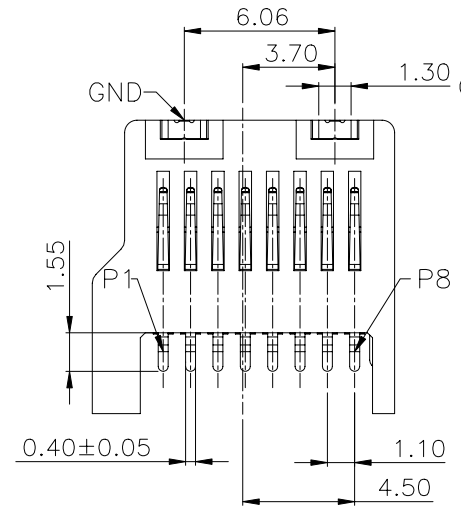
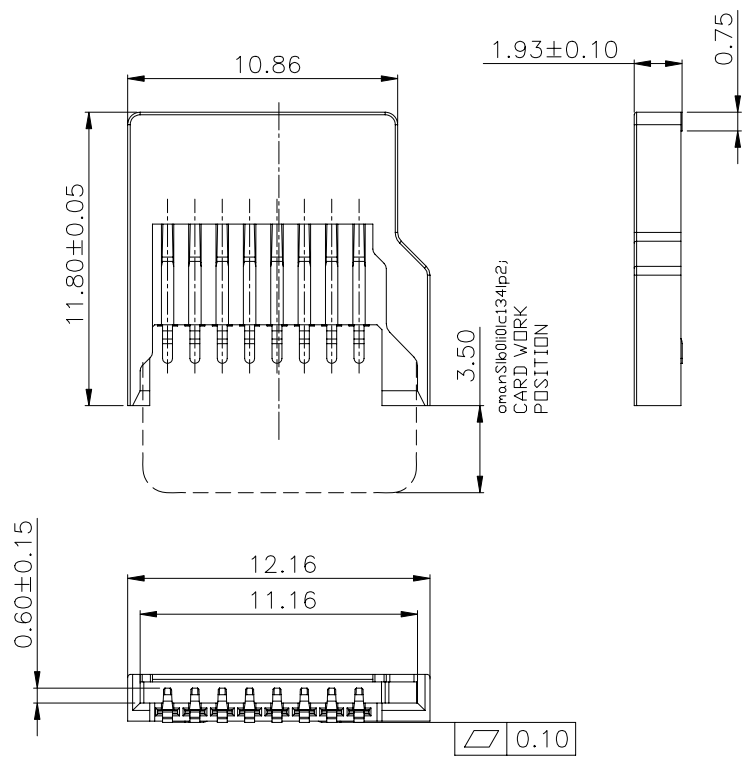


CUSTOMER DRAWING

REV.	DESCRIPTION	DRAWN/DATE	APPROVED/DATE
A	NEW	Coco	



NOTES:

- MATERIAL:  
HOUSING:LCP MG350,UL 94V-0,30%G/F FILLED;  
COLOR:BLACK  
CONTACT:COPPER ALLOY T=0.15mm  
GROUND:STAINLESS T=0.15mm
- FINISH:  
CONTACT: 1u" GOLD PLATING ON CONTACT AREA  
Tin 80u" MIN PLATING ON SOLDER TAILS  
50u" MIN NICKEL UNDERPLATING OVER ALL  
GROUND: Sn 100u" MIN PLATING ON SOLDER TAILS  
50u" MIN NICKEL UNDERPLATING OVER ALL
- PRODUCT SPECIFICATIONS:  
VOLTAGE RATING: 50V  
CURRENT RATING: 0.5A  
INSULATION RESISTANCE: 500MEG.OHM MIN  
CONTACT RESISTANCE: 50 MILL.OHM MAX  
OPERATION TEMPERATURE: -20° TO +85°  
DURABILITY: 5000 CYCLES

Pin No.	NAME	TYPE	DESCRIPTION
1	DAT 2	I/O/PP	Date Line(bit2)
2	CD/DAT 3	I/O/PP	Card Detect/Date Line(bit3)
3	CMD	PP	Command Response
4	VDD	S	Supply Voltage
5	CLK	I	Colck
6	VSS	S	Supply Voltage Ground
7	DAT0	I/O/PP	Date Line(bit0)
8	DAT1	I/O/PP	Date Line(bit1)

GENERAL TOLERANCE	ANGLE TOLERANCE	DRAW DATE	深圳市鑫南天科技有限公司 Shenzhen XinNanTian Technology Co.,Ltd	
X. ±0.50 .X ±0.35 .XX ±0.25 .XXX ±0.10	X° ±3.0° .X° ±2.0° .XX° ±1.0°	Coco	FILE NAME (品名)	T-FLASH CARD (全塑)
UNIT:mm	SCALE 1:1	Jeany	PART NO (料号)	80-10007-01
A4	SHEET: 1 of 1	Jeff	DRAWING NO.(图号)	80-10007-01
				REV. A