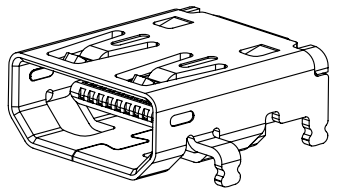
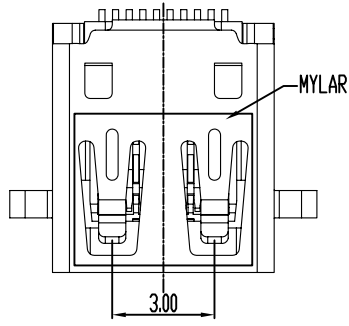
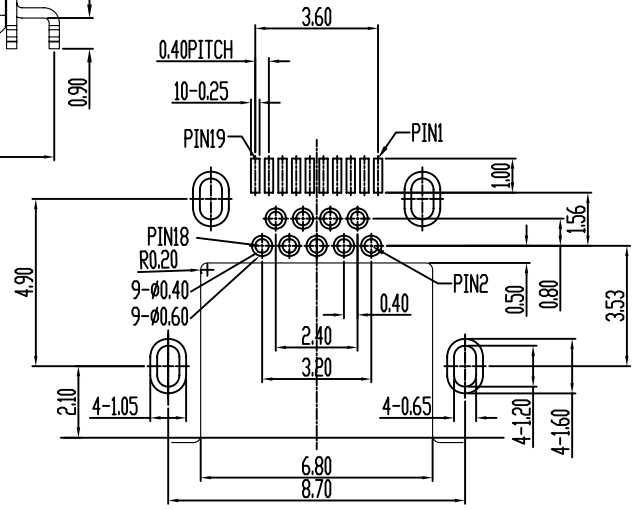
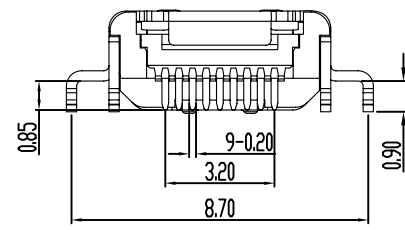
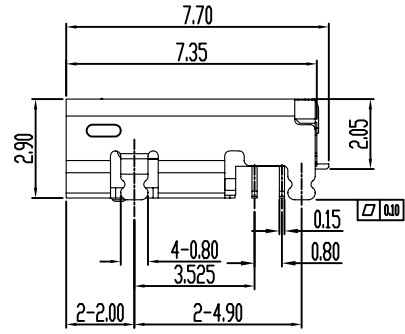
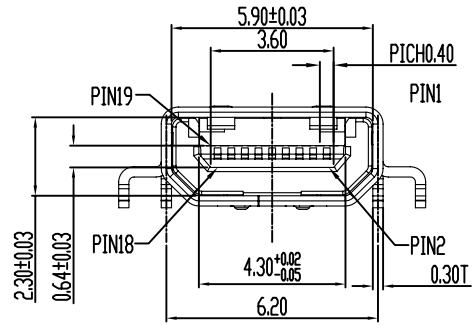


REVNO	REVISION NOTE	DATE	DRAW	CHECK
A/0	RELEASED	15/09/28	Coco	

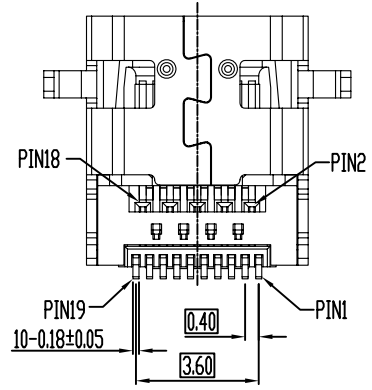



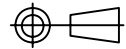
NOTE:

- MATERIAL:  
HOUSING: HIGH TEMPERATURE THERMO PLASTIC UL94V-0, BLACK.  
CONTACTS: COPPER ALLOY.  
SHELL: COPPER ALLOY
- FINISHED  
CONTACTS: 1U" GOLD PLATED ON CONTACT AREA,  
30U" MIN. NICKEL UNDERPLATING OVER ALL  
SHIELD: 30U" MIN. NICKEL UNDERPLATING OVER ALL



RECOMMENDED PCB LAYOUT  
(TOL±0.05)



DIMENSION UNIT MM		 深圳市鑫南天科技有限公司 ShenZhen XinNanTian Technology	
TOLERANCE UNLESS OTHERWISE SPECIFIED			
.X±0.25	X*±5°	APR. Jeff	TITLE: HDMI D-TYPE (DIP+SMT) sink 0.9
.XX±0.15	.X*±3°	CHK. Jenny	PROJ. 
.XXX±0.10	.XX*±1°	DRA. Coco	PART_NUMBER: XNT-HDMI001151
		REV: A/0	
		SHEET 1/1 SCALE: 1:1	