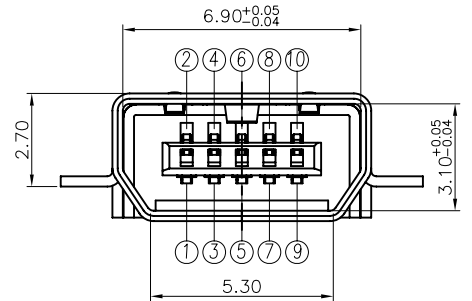
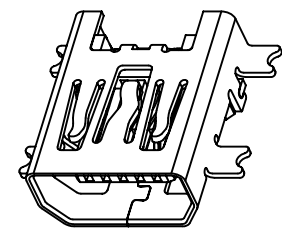
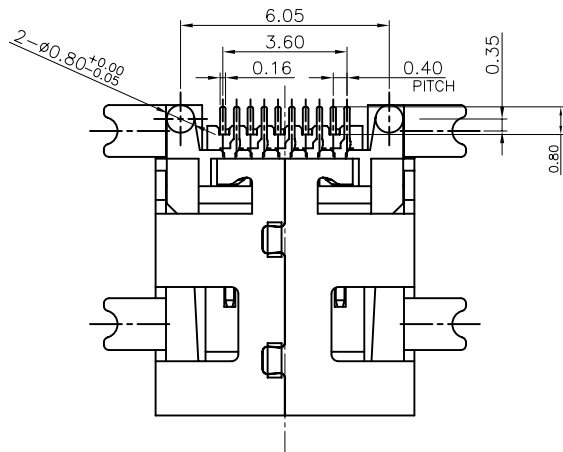
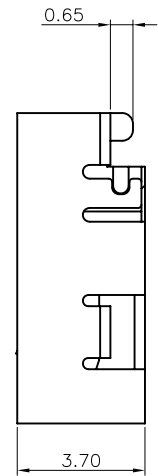
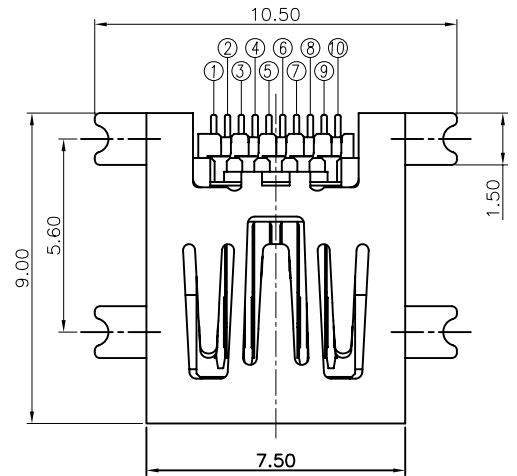
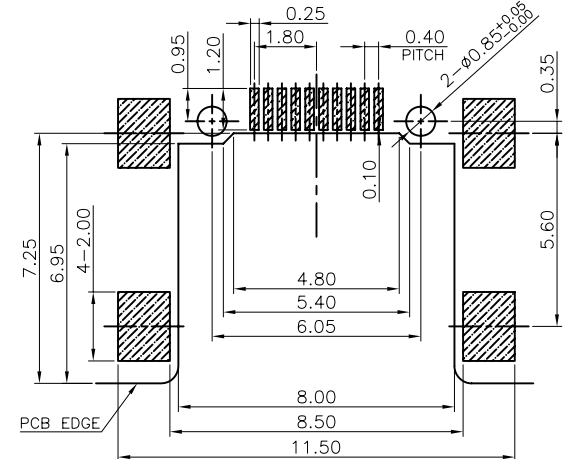


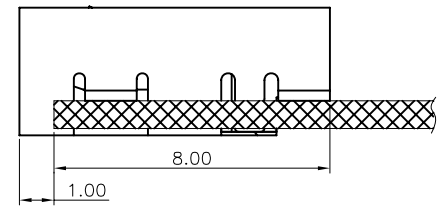
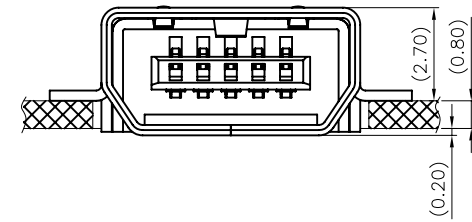
REV.	ECN NO.	LOCAS.	DESCRIPTION	DATE	DESIGN
A0			INITIAL RELEASE	09/11/24	Bob.Y



- NOTES:
- MATERIAL:
INSULATOR: HI-TEMP PLASTIC UL 94V-0; BLACK.
CONTACT: COPPER ALLOY(T=0.15MM).
SHELL: COPPER ALLOY(T=0.30MM).
 - ELECTRICAL CHARACTERISTICS:
CONTACT CURRENT RATING: 0.5 AMPERES.
DIELECTRIC WITHSTANDING VOLTAGE: AC100V R.M.S.
INSULATION RESISTANCE: 100 MΩ MINIMUM.
CONTACT RESISTANCE: 50 MΩ MAXIMUM.
 - ENVIRONMENTAL:
OPERATING TEMPERATURE: -25°C~+65°C.
 - ENVIRONMENTAL:
MATING CYCLES:10,000 INSERTIONS.



RECOMMENDED PCB LAYOUT
TOLERANCE:±0.05



深圳市鑫南天科技有限公司
Shenzhen XinNanTian Industrial Co.,Ltd

DRAW NO. A091124-01	DATE 09/11/24	MATERIAL: SEE NOTES	DRAW NAME: MINI USB 10PIN AB TYPE. (Philips 沉板1.0mm)
DESIGN: Bob		FINISH: SEE NOTES	
CHECK:		P/N NO. MUB-AF010-021	UNIT: mm
APPROVED		REV. A0 SCALE N/A	SHEET: 1/1

DIM	TOL	DIM	TOL
X.	±0.50	X*	±3.0°
X.X	±0.35	X.X*	±2.0°
X.XX	±0.25	X.XX*	±1.0°
X.XXX	±0.13	X.XXX*	±0.5°