

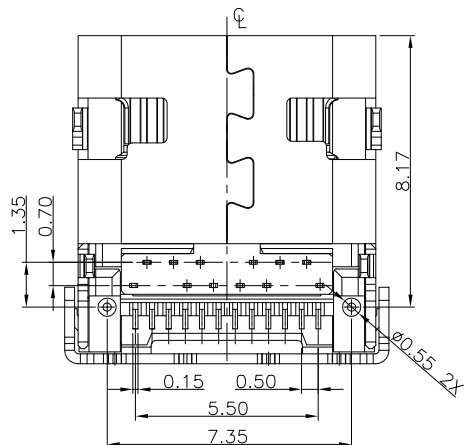
SPECIFICATIONS:

1. MECHANICAL :
  - 1.1 INSERTION FORCE :5N~20N
  - 1.2 WITHDRAWAL FORCE :8N~20N  
AFTER 10,000 CYCLES MATING: 2N MIN.
2. ELECTRICAL :
  - 2.1 CONTACT CURRENT RATING: 3A .
  - 2.2 VOLTAGE RATING :30V AC (rms)
  - 2.3 WITHSTANDING VOLTAGE: 100 VAC FOR 1 MINUTE.  
INSULATION RESISTANCE: 100 MEGAOHMS MIN.
  - 2.4 CONTACT RESISTANCE: 40 MILLIOHMS MAX.
3. ENVIRONMENTAL :
  - 3.1 OPERATING TEMPERATURE:-25°C TO +85°C

4.P/N:  
XNTUTC-24F1X-440

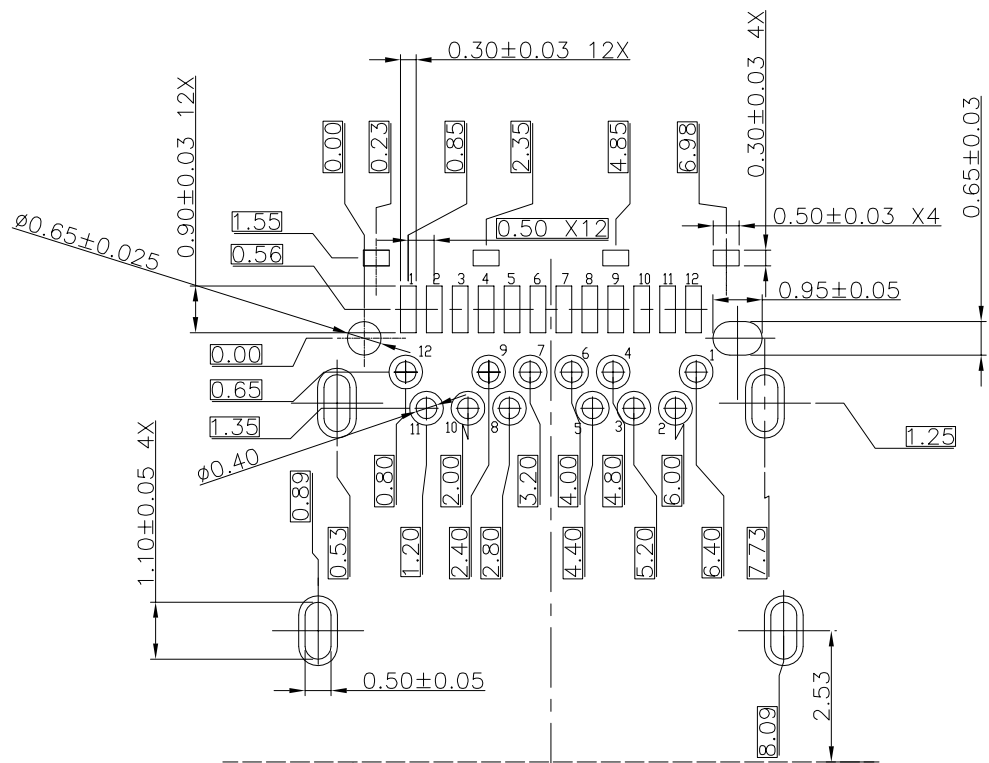
UTC: TYPE C

- CONTACT
- 1: GOLD FLASH
  - 2.PLATED 3U" GOLD
  - 3.PLATED 5U" GOLD
  - 4.PLATED 15U" GOLD
  - 5.PLATED 30U" GOLD

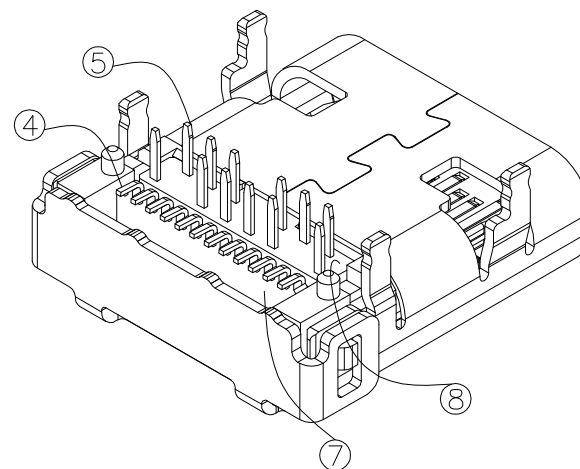


		<h2 style="margin: 0;">深圳市鑫南天科技有限公司</h2> <p style="margin: 0;">Shen Zhen Xin Nan Tian Technology Co., Ltd</p>			
		DIMENSIONS INIT: mm UNLESS OTHERWISE SPECIFIABLE	PRODUCT NAME : USB TYPE C 31 母座 板上型 外壳DIP 端子DIP-SMT 外壳间距4.4	DRAWING: <b>COCO</b>	DATE: 2015/09/01
DIMENSION TOLERANCE . ±0.50 .0 ±0.38 .00 ±0.25 .000 ±0.10 ANGLE ±3.00° MANUFACTURING COPY	PRODUCT NO. : XNTUTC-24F1X-440	CHECK: <b>JANY</b>	DATE: 2015/09/01		
	DRAWING NO. : XNT-UTC-0018	APPROVED: <b>JEFF</b>	DATE: 2015/09/01		
		SCALE: 1:1	DWG ID: P D	REV.: A	PAGE: 1 of 1

REVISION NO.	ECR NO.	DESCRIPTION	MARK	DATE
1				
2				
3				



CONNECTOR FRONT EDGE  
RECOMMENDED P.C.B. LAYOUT (T:1.00mm)  
TOLERANCE UNSPECIFIED ±0.05mm



A		B					
1	GND	12	GND				
2	TX+	11	RX-				
3	TX-	10	RX+	1	THERMOPLASTIC UL94V-0	DIP HOUSING	⑧
4	VBUS	9	PWR	1	THERMOPLASTIC UL94V-0	SMT HOUSING	⑦
5	CC	8	SBU2	1	THERMOPLASTIC UL94V-0	LATCH HOUSING	⑥
6	D-	7	D+	12	COPPER ALLOY	DIP CONECTOR	⑤
7	D+	6	D-	12	COPPER ALLOY	SMT CONECTOR	④
8	SBU1	5	Vconn	2	SUS	EMI	③
9	VBUS	4	PWR				
10	RX+	3	TX+	1	SUS	LATCH	②
11	RX-	2	TX-	1	SUS	SHELL	①
12	GND	1	GND	QTY'S	MATERIAL	NAME	NO.

	<h2 style="margin: 0;">深圳市鑫南天科技有限公司</h2> <p style="margin: 0;">Shen Zhen Xin Nan Tian Technology Co., Ltd</p>		
	DIMENSIONS INIT: mm UNLESS OTHERWISE SPECIFIABLE	PRODUCT NAME : USB TYPE C 31 母座 板上型 外壳DIP 端子DIP+SMT 外壳间距4.4	DRAWING: <b>COCO</b> DATE: 2015/09/01
	DIMENSION TOLERANCE . ±0.50 .0 ±0.38 .00 ±0.25 .000 ±0.10 ANGLE ±3.00° MANUFACTURING COPY	PRODUCT NO. : XNTUTC-24F1X-440	CHECK: <b>JANY</b> DATE: 2015/09/01
	DRAWING NO. : XNT-UTC-0018	APPROVED: <b>JEFF</b>	DATE: 2015/09/01
SCALE: 1:1 DWG ID: P D REV.: A		PAGE: 1 of 1	

REVISION NO.	ECR NO.	DESCRIPTION	MARK	DATE
1				
2				
3				