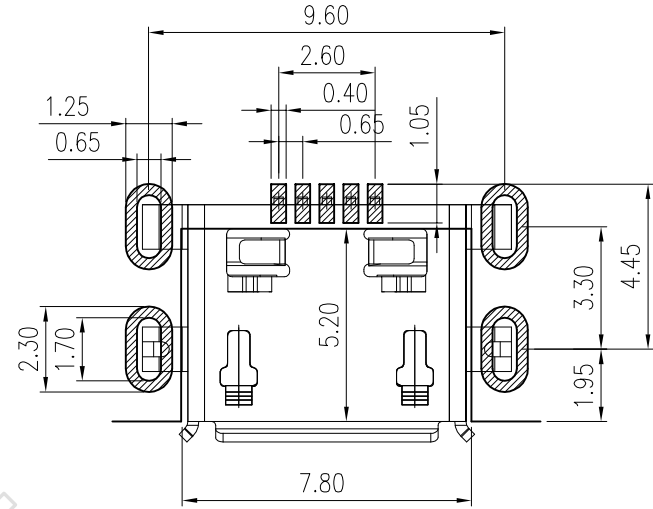
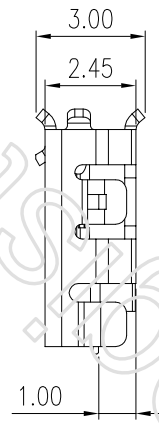
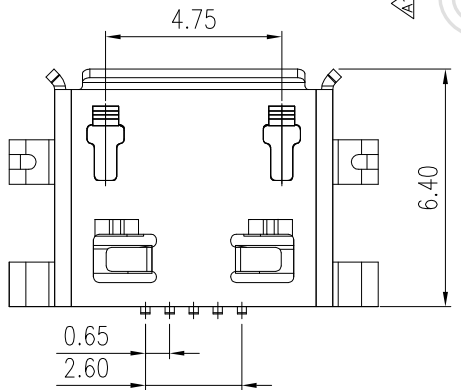
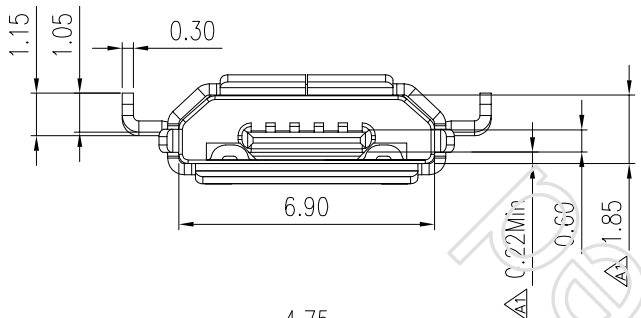
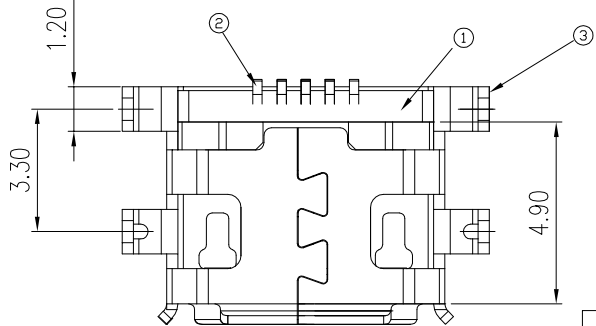
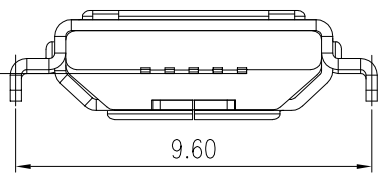


REV.	ECN NO.	DESCRIPTION	DRAW	APPD.	DATE
A	---	新版发行图纸	Guojiangang	Taiweixin	2012.07.07
A1	---	依实际生产变更图面	ZXM	DengMingXin	2013.12.11



RECOMMENDED PCB LAYOUT(TOP VIEW)  
GENERAL TOLERANCES:±0.05

0.10 Max



3	SHELL	STAINLESS STEEL T=0.30mm	TIN/NI Plated	1PCS
2	CONTACT	COPPER ALLOY T=0.15mm	Au/NI Plated	1SET
1	HOUSING	PA9T UL94V-0	BLACK	1PCS
NO.	DESCRIPTION	MATERIAL	REMARKS	QTY

TOLERANCE		NAME(INTENDED USE) CUSTOMER DRAWING	深圳市鑫南天科技有限公司 SHEN ZHEN XIN NAN TIAN INDUSTRIAL CO.,LTD	
X.X ±0.30	X.* ± 2°	PART NO. <b>010101020-014</b>	TITLE: MICRO USB 5P 沉板1.0 四脚插板 四面翻边	
.XX ±0.20	.X* ± 1°		DRAWG NO. <b>0101-0140</b>	
.XXX ±0.10	.XX* ±0.5°			
UNITS	mm	APPD: COCO	SCALE SHEET REV. 1:1 1/1 A1	
MATERILA	FINISH	CHED: COCO	DRAW: JEFF	

新料号	旧料号
010101020-014	USB-1095-05CS