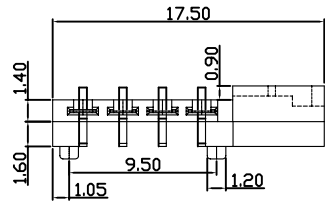
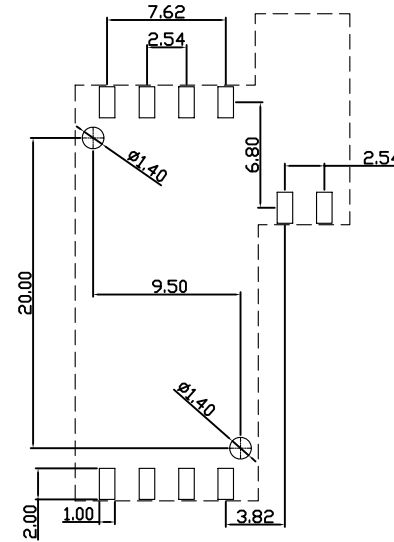
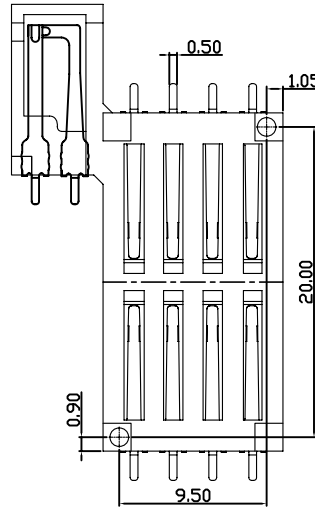
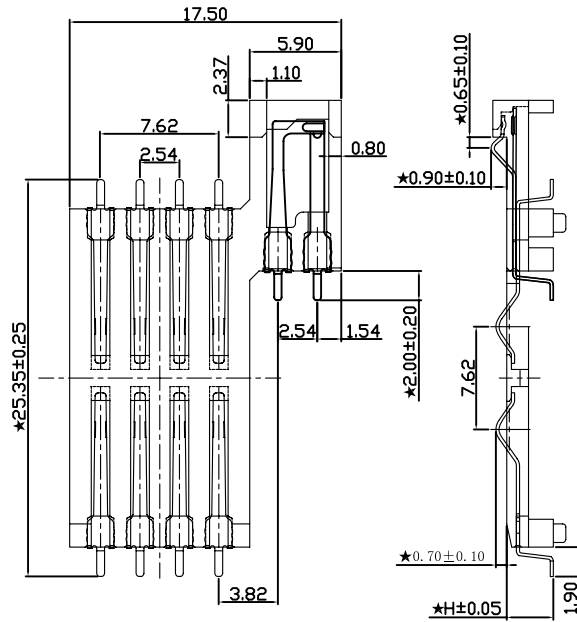


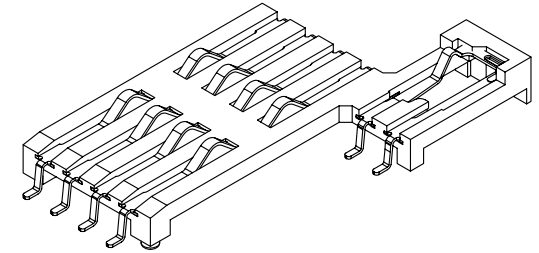
Notes:  
 Material: Phosphor Brozne(C5191-H)  
 SIMM Card Connector,With  
 Physical:  
 Housing: LCP UL 94V-0  
 Contact: Selective Gold Flash  
 Specifications:  
 Voltage Current rating: 1A. 50V AC  
 Insulation Resistance: 1000Mohm Min  
 Contact Withstanding Voltage:  
 AC 500V For 1 Minute  
 Temperteure Rating: -40° To +85°



H
1.40
2.00
2.50
3.00
3.50
4.20
4.70



PCB LAYOUT RECOMMENDED



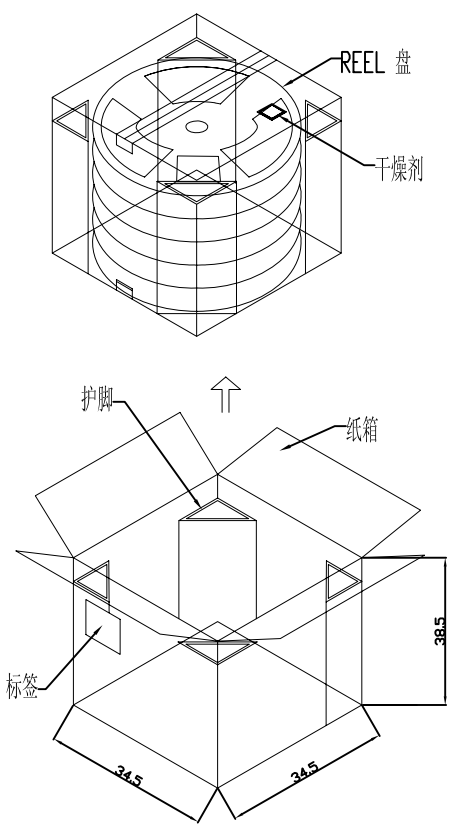
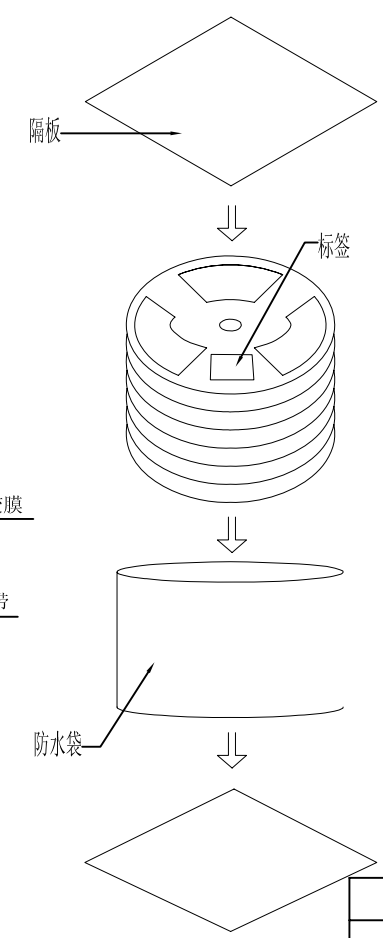
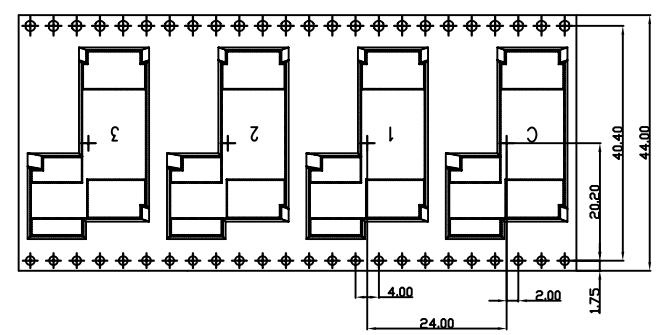
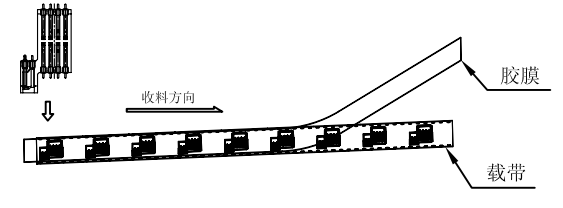
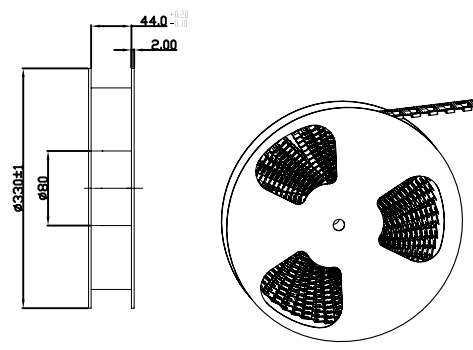
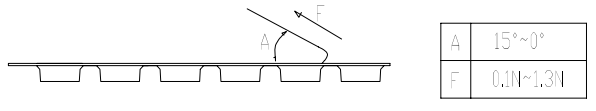
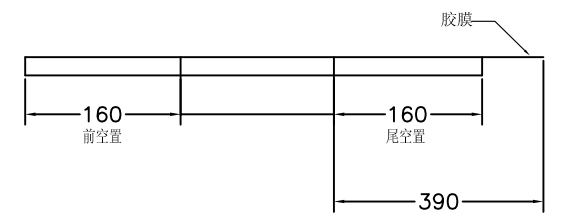
XNT-SMART-XXX192

- 140: height 1.40mm
- 200: height 2.00mm
- 250: height 2.50mm
- 300: height 3.00mm
- 350: height 3.50mm
- 420: height 4.20mm
- 470: height 4.70mm

H
1.40
2.00
2.50
3.00
3.50
4.20
4.70

REVISION NO.	ECR NO.	DESCRIPTION	MARK	DATE
1		2	3	

	深圳市鑫南天科技有限公司 Shenzhen XinNanTian Technology Co., Ltd				
	PRODUCT NAME : Smart card with CD pin	DRAWING : <b>COCO</b>	DATE: 2012/03/10		
	PRODUCT NO. : XNT-SMART-XXX192	CHECK : JANY	DATE: 2012/03/11		
	DRAWING NO. : XNT-1165	APPROVED : JEFF	DATE: 2012/03/11		
DIMENSIONS UNIT: mm UNLESS OTHERWISE SPECIFIABLE DIMENSION TOLERANCE X.X: ± 0.38 X.XX: ± 0.25 X.XXX: ± 0.10 ANGULAR: ± 1°		SCALE: 1:1	DWG ID: C D	REV. : A	PAGE: 1 OF 2



PART NO.	XNT-SMART-140192
C / H	HEIGHT IS 1.40MM
DESCRIPTION	SMART CARD 8PIN
PCS/REEL	700
REEL/BOX	7
TOTAL (PCS)	4900
CTN SIZE	34.5X34.5X38.5 CM

深圳市鑫南天科技有限公司  
Shenzhen XinNanTian Technology Co., Ltd

<p>DIMENSIONS UNIT: mm UNLESS OTHERWISE SPECIFIABLE</p> <table border="1"> <thead> <tr> <th>DIMENSION</th> <th>TOLERANCE</th> </tr> </thead> <tbody> <tr> <td>X, X:</td> <td>± 0.38</td> </tr> <tr> <td>X, XX:</td> <td>± 0.25</td> </tr> <tr> <td>X, XXX:</td> <td>± 0.10</td> </tr> <tr> <td>ANGULAR:</td> <td>± 1°</td> </tr> </tbody> </table>	DIMENSION	TOLERANCE	X, X:	± 0.38	X, XX:	± 0.25	X, XXX:	± 0.10	ANGULAR:	± 1°	PRODUCT NAME : Smart card with CD pin	DRAWING : <b>COCO</b>	DATE: 2012/03/10
	DIMENSION	TOLERANCE											
	X, X:	± 0.38											
	X, XX:	± 0.25											
X, XXX:	± 0.10												
ANGULAR:	± 1°												
PRODUCT NO. : XNT-SMART-XXX192	CHECK: JANY	DATE: 2012/03/11											
DRAWING NO. : XNT-1165	APPROVED: JEFF	DATE: 2012/03/11											
	SCALE: 1:1	DWG ID: C D	REV. : A										

PAGE:  
2 OF 2

REVISION NO.	ECR NO.	DESCRIPTION	MARK	DATE
1				
2				
3				