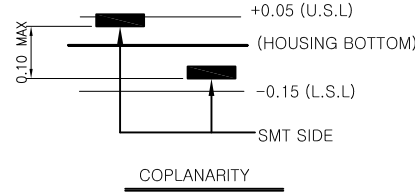


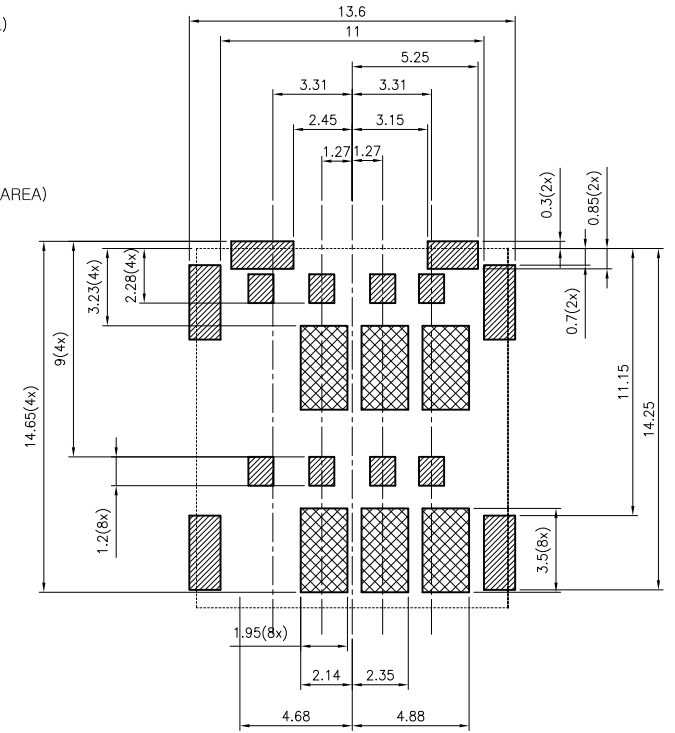
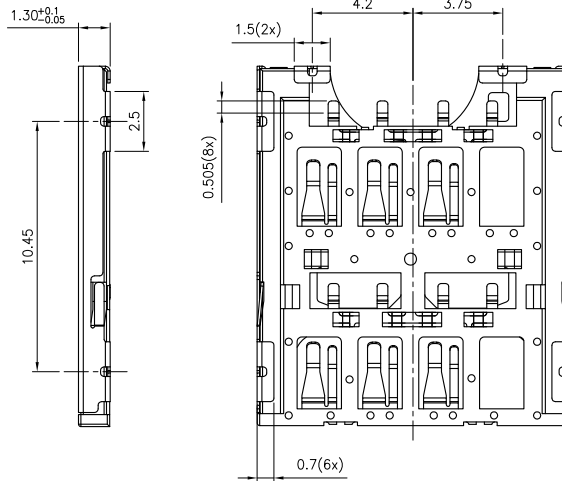
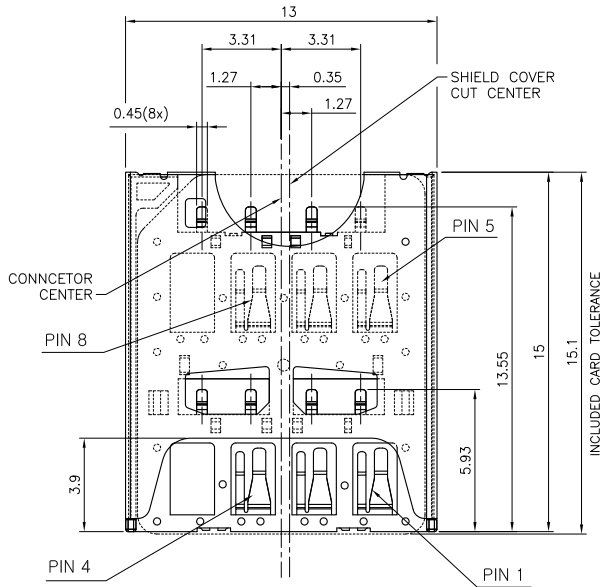
PIN No.	DESCRIPTION
PIN 1	VCC (SUPPLY VOLTAGE)
PIN 2	RST (RESET SIGNAL)
PIN 3	CLK (CLOCK SIGNAL)
PIN 4	RESERVED
PIN 5	GND
PIN 6	VPP (VARIABLE SUPPLY VOLTAGE)
PIN 7	I/O (DATA INPUT/OUTPUT)
PIN 8	RESERVED

Specification
 *Electrical Characteristics:
 Contact Current Rating:0.5 Amperes.
 Dielectric Withstanding Voltage:AC50 0V r.m.s.
 Insulation Resistance:500 MΩ Minimum.
 Contact Resistance: 30mΩ Maximum.
 *Environmental:
 Operating Temperature:- 30 °C~+ 85 °C.

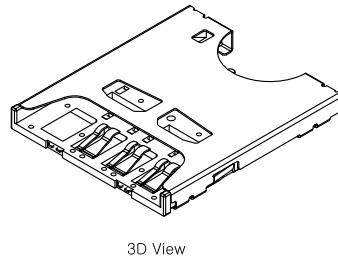
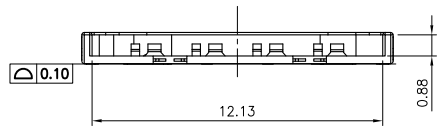
REV.	ECN NO OR DESCRIPTION	REVISED	DATE
1	PROPOSE ONLY	ALLEN	2014.02.04



NO PATTERN AREA
 ALL SOCKET SPACES(HATCHING AREA)
 WITHOUT SOLDER PATTERN



P.C.B LAYOUT (Top View)
 (General Tolerance ±0.05)



③	TERMINAL	6	C5210-EH,T=0.12	Au 5u" PLATING
②	BASE INSULATOR	1	LCP+GF30%	BLACK
①	SHELL	1	SUS304-H,T=0.12	AU/Ni PLATING
NO.	PART NAME	Q'TY	DESCRIPTION	NOTE

UNLESS OTHERWISE SPECIFIED TOLERANCES

深圳市鑫南天科技有限公司

DECIMALS:	ANGLES:	TITLE	micro SIM 6pin 1.3H Push Pull Card Connector		
X :±0.5	X :±2°	DWN	ALLEN	PART NO. XNT-SIM-111115	
X.X :±0.20	X.X :±1°	CHKD	KEVIN	SCALE:1:1	UNIT: mm
X.XX :±0.10		APVD	ERIC.W	SIZE: A3	SHEET:10F 1
					REV: A1

CUSTOMER COPY