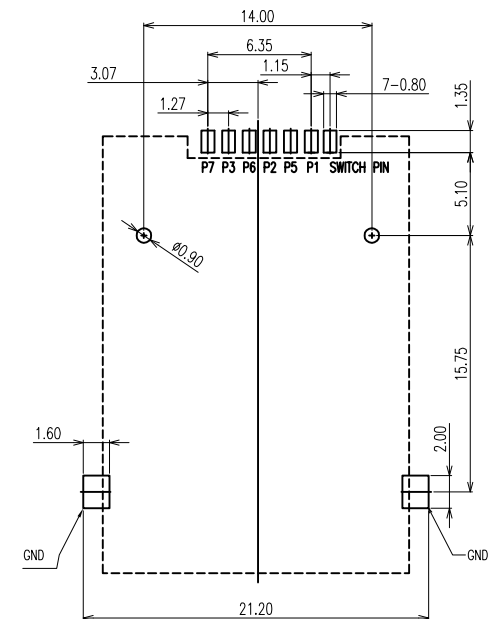
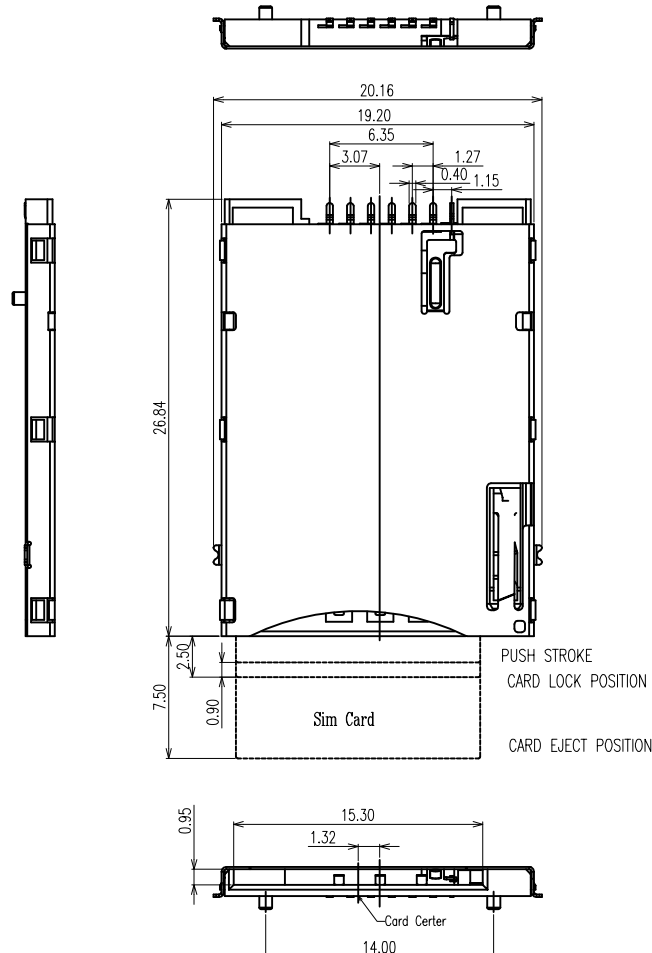


REV	ECN #	DESCRIPTION	DRAWING	APPROVED	DATE
A		NEW RELEASE	DEYI		



Specification:

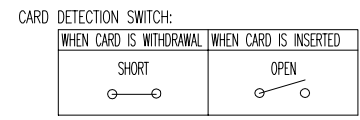
**\*Electrical Characteristics:**  
 Current Rating:0.5A.  
 Withstanding Voltage:AC500V r.m.s.  
 Insulation Resistance:1000Megohms Minimum at DC 500V  
 Contact Resistance:100Miliohms Maximum.  
**\*Mechanical Characteristics:**  
 Mating Cycles:3000 Insertions.  
**\*Environmenttal:**  
 Operating Temperature:-40°To+60°  
**\*Material:**  
 1.Housing:HI-Temp plastic UL 94V-0 Rated.  
 2.Contact:Copper Alloy.  
 3.Shell:SUS.  
**\*Finish :**  
 3u" Gold plated on conatct area,100u"Min Tin plated on solder tails, Base Nickel :50u"Min  
 ▽DENOTES MAJOR DIMENSION MEASUREMENT REQUIRED  
 THE PRODUCT ACCORD WITH THE REGULATION OF ROHS AND "MANAGEMENT REGULATIONS FOR THE ENVIRONMENT RELATED SUBSTANCES AND MATERIALS"

**PRODUCT NO.**

**SM13-07 A B 05-01**  
 ① ② ③ ④

- ① PRODUCT SERIES:  
SM13:SIMCARD PUSH-PUSH CONNECTOR
- ② PIN NO. :  
07:7PIN
- ③ MATERIAL:  
A: LCP
- ④ SERIES NO. :  
01: 7pin SIMCARD PUSH-PUSH 1.8H 连接器 标准型

CONNECTOR TERMINAL NO.	PIN NO.
PIN 1	VCC : PWR SIGNAL AND GND
PIN 2	RST : RESET SIGNAL
PIN 3	CLK : CLOCKING SIGNAL
PIN 5	GND : PWR SIGNAL AND GND
PIN 6	VPP : PROGRAMMING VOLTAGE
PIN 7	I/O : SERIAL DATA INPUT/OUTPUT



ITEM	NAME	Q'TY/EACH	MATERIAL/FINISHED	REMARK
6	STAMPLE	1	SUS301	
5	SHELL	1	SUS301	
4	SLIDER	1	THERMOPLASTIC UL94V-0 BLACK	
3	SPRING	1	SUS 301	
2	CONTACT	6	COPPER ALLOY, AU PLATED	
1	HOUSING	1	THERMOPLASTIC UL94V-0 BLACK	

<b>CUSTOMER DRAWING</b>	<b>深圳市鑫南天科技有限公司</b>				
	GENERAL TOLERANCE X .X ±0.20 .XX ±0.15 .XXX ±0.10	DRAWING DEYI	TITLE: SIM CARD CONNECTOR PUSH-PUSH 7PIN Standard type	P/N: XNT-SIM-0062	
ANGEL TOLERANCE X ±3' .XX ±2' .XXX ±1'	APPROVED	DATE 2012.04.26	DRAWING NO. C-SM13-04		
		UNIT mm	SCALE 1:1	SIZE A4	SHEET 1of2
				REV A	