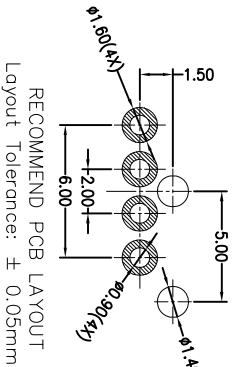
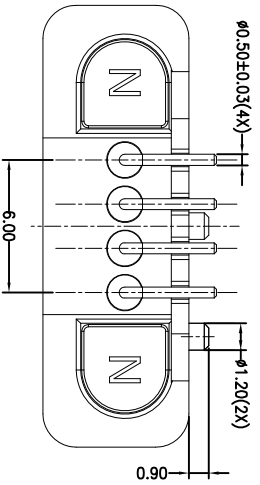
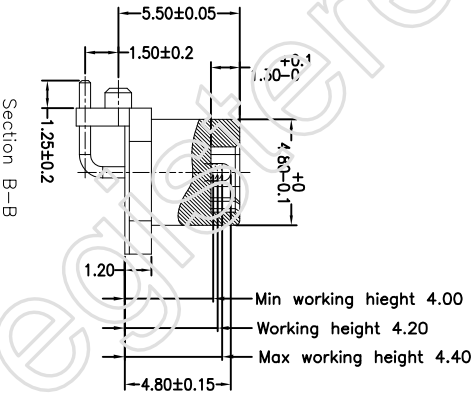
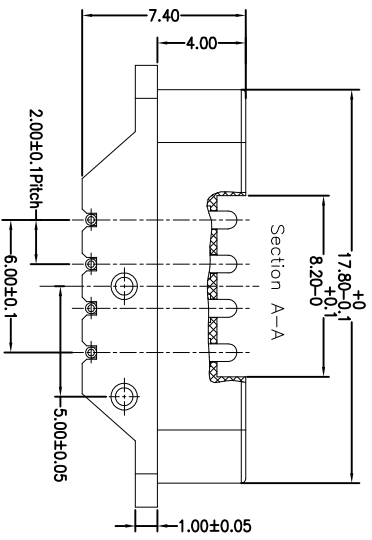
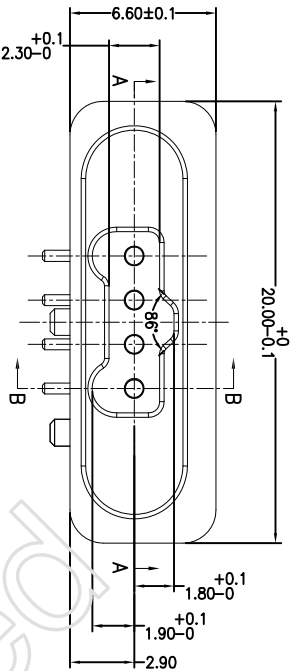


* 所有原材料, 生产制程, 电镀必须符合ROHS要求



Notes:

- Mechanical performance(See the table 1)
 - <1.1>The force is the average of forces obtained when plunger goes downwards and upwards
 - <1.2>Warning:Working height are not permitted to be less than Min working height
- Electrical performance
 - <2.1>Current rating: 2.0A
 - <2.2>Voltage rating: 36VAC/DC
 - <2.3>Dynamic Resistance: 30mOhm Max (between max and min working height)
 - <2.4>Insulation Resistance: 100MOhm minimum
- Environmental performance
 - <3.1>Salt Spray: 48h Min
 - <3.2>Operating Temperature range: -40°C~+85°C
- Packaging: **Bag packaging**

Working Height	4.2mm	40±10gf
Durability	10000 Cycles	Min.

Item	Part Name	Q'ty	Material	Finish
5	Magnet	2	NdFeB N52	Ni plating
4	Body	4	Leaded Brass	Au plating 4u" min Ni plating 22.4u" min
3	Plunger	4	Leaded Brass	Au plating 16u" min Ni plating 22.4u" min
2	Spring	4	Stainless steel wire	-----
1	Housing	1	High temp. Plastic: UL94 V-0 Color White	-----

深圳市鑫南天科技有限公司

DIMENSIONS INT: mm		DRAWINGS: ZhckaiQ		DATE: 2017/12/08	
UNLESS OTHERWISE SPECIFIABLE		PRODUCT NAME: 2.0Pitch 4Pin Pogo PIN H6.6 公播		DATE: 2017/12/08	
DIMENSION	TOLERANCE	CHECK: XNT-PM83-0464JB	DATE:		
X.X: ±	0.15	DRAWING NO.: D-PW83-0464JB	APPROVED: openQ	DATE: 2017/12/08	
X.XX: ±	0.10	SCALE: DWG ID: CD	REV.: A	PAGE: 10F1	
X.XXX: ±	0.05				
ANGULAR: ±	1'				

REVISION NO.	ECR NO.	DESCRIPTION	MARK	DATE
A		新发行		2017/12/08