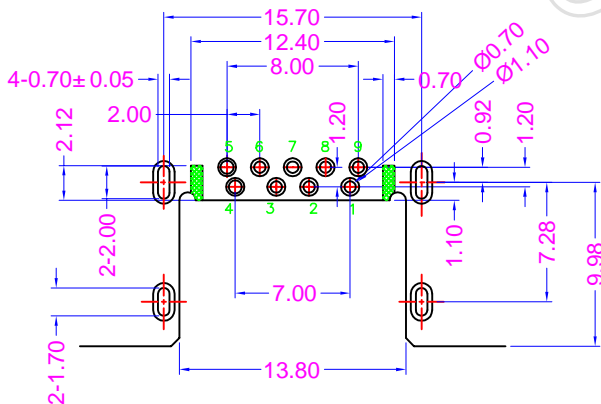
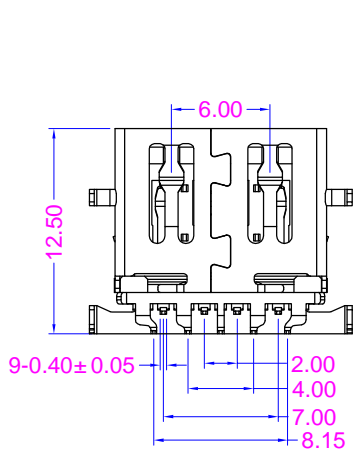
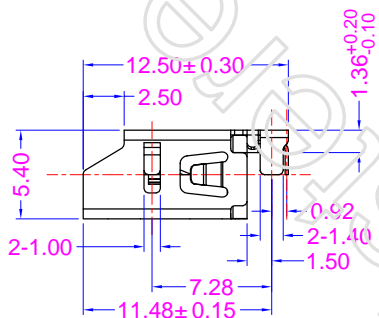
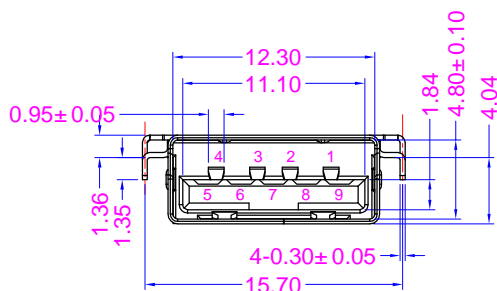
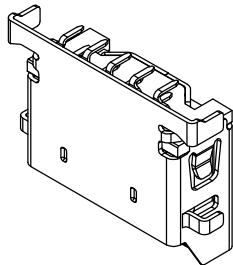
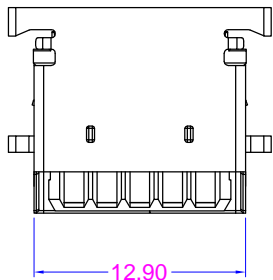


* 所有原料材质, 生产制程, 电镀必须符合ROHS要求



TOLERANCE: ±0.05, THICKNESS: 1.0~1.2mm
 RECOMMENDED PCB LAYOUT
 (TOP VIEW)
 KEEP OUT AREA

NOTE:

1.MATERIAL:

- 1.1 INSULATOR:HIGH TEMPERATURE PLASTIC UL 94 V-0;
- 1.2 CONTACT:COPPER ALLOY(T=0.2mm)
- 1.3 SHELL: SUS201(T=0.30mm)

2.ELECTRICAL CHARACTERISTICS;

- 2.1 CONTACTRESISTANCE: 30m Max
- 2.2 CONTACT CURRENT RATING:1.5A
- 2.3 DIELECTRIC WITHSTANDING VOLTAGE:500 V R.M.S.
- 2.4 INSULATION RESISTANCE 100 MEGOHMS M
- 2.5 OPERATING TEMPERATURE:-40°C ~ 85°C
- 2.6 RATE VOLTAGE: 30V DC

3 MECHANICAL CHARACTERISTICS:

- 3.1 MATING FORCE:10 N Min INITIAL; 8 N Min AFTER TEST
- 3.2 UNMATED FORCE: 35 N Max
- 3.3 DURABILITY: 5,000 CYCLES

4.PLATING

- 4.1 TERMINAL CONTACT:GOLD PLATING ALL OVER
50u" MIN NICKEL AND 80u"MIN Matte Tin
NICKEL IN SOLDER AREA(SEE TAB)
- 4.2 SHELL:50u"MIN. NICKEL ALL OVER

Pin #	SIGNAL NAME	DESCRIPTION	MATING SEQUENCE
1	VBUS	POWER	SECOND
2	D-	USB 2.0 DIFFERENTIAL PAIR	THIRD
3	D+		
4	GND	GROUND FOR POWER RETURN	SECOND
5	StdA_SSRX-	SUPERSPEED RECEIVER DIFFERENTIAL PAIR	LAST
6	StdA_SSRX+		
7	GND_DRAIN	GROUND FOR SIGNAL RETURN	
8	StdA_SSTX-	SUPERSPEED TRANSMITTER DIFFERENTIAL PAIR	
9	StdA_SSTX+		
Shell	Shield	CONNECTOR METAL SHELL	FRIST



深圳市鑫南天科技有限公司
 Shen zhen Shi Xin Nan Tian Industrial Co., Ltd

DIMENSIONS INIT: mm UNLESS OTHERWISE SPECIFIABLE	PRODUCT NAME : USB A TYPE 3.0-9PIN 外壳四脚全插 沉板深度4.04 板上高度1.36 半直半斜口	DRAWING: COCO	DATE: 2008/08/08
	PRODUCT NO. : USBA30-CB404BZBXK	CHECK: JANY	DATE: 2008/08/08
X. ±0.50 X.° ±10° X.X ±0.30 X.X° ±5° X.XX ±0.20 X.XX° ±2° X.XXX ±0.15	DRAWING NO. : XNT-USB30-9P003	APPROVED: JEFF	DATE: 2008/08/08
	SCALE: 1:1	DWG ID: P D	REV.: B PAGE: 1 OF 1

REVISION NO.	ECR NO.	DESCRIPTION	MARK	DATE
1				
2				