

NOTE;

Note:

1.Materials:

- .Plunger & sleeve: copper alloy , 5U" Au plated over nickel
- .Spring: SUS304
- .housing:PA9T

2.Mechanical:

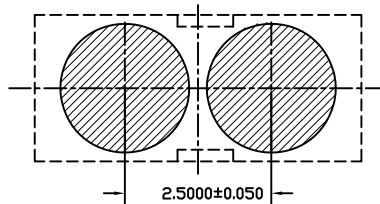
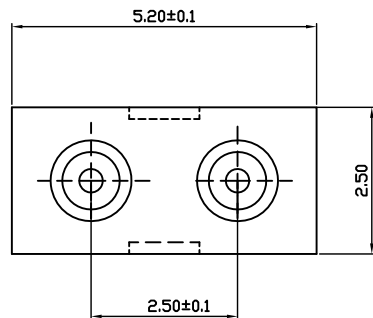
- .Contact force: 60g±20g at working stroke
- .Life test: 10,000 cycles

3.Electrical:

- .Rated voltage: DC 12V@25°C;
- .Current: 2A continuous, 3A Peak;
- .Contact resistance: 20 milliohm Max

4.Temperature : -55°C~+90°C 75% R.H max

5.RoHS compliant.



XinNanTian Industry Co., LTD

DIMENSIONS INIT: mm	
UNLESS OTHERWISE SPECIFIABLE	
DIMENSION	TOLERANCE
X.X: ±	0.38
X.XX: ±	0.20
X.XXX: ±	0.10
ANGULAR: ±	1'

PRODUCT NAME : male pogo pin

PRODUCT NO. : PDM-102790

DRAWING NO. : PDM-102790

DRAWING: COCO

CHECK: AG

APPROVED: JEFF

DATE: 2020/07/24

DATE: 2020/07/24

DATE: 2020/07/24

SCALE: NA

DWG ID: P D

REV.: A

PAGE: 1 of 1

REVISION NO.	ECR NO.	DESCRIPTION	MARK	DATE
1				
2				
3				

4	5	6
---	---	---